



- **4 and 6 Seater**
- **4 and 6 Lifted**
- **All Model Years**

PULSE PARTS MANUAL



(866) 542-8677



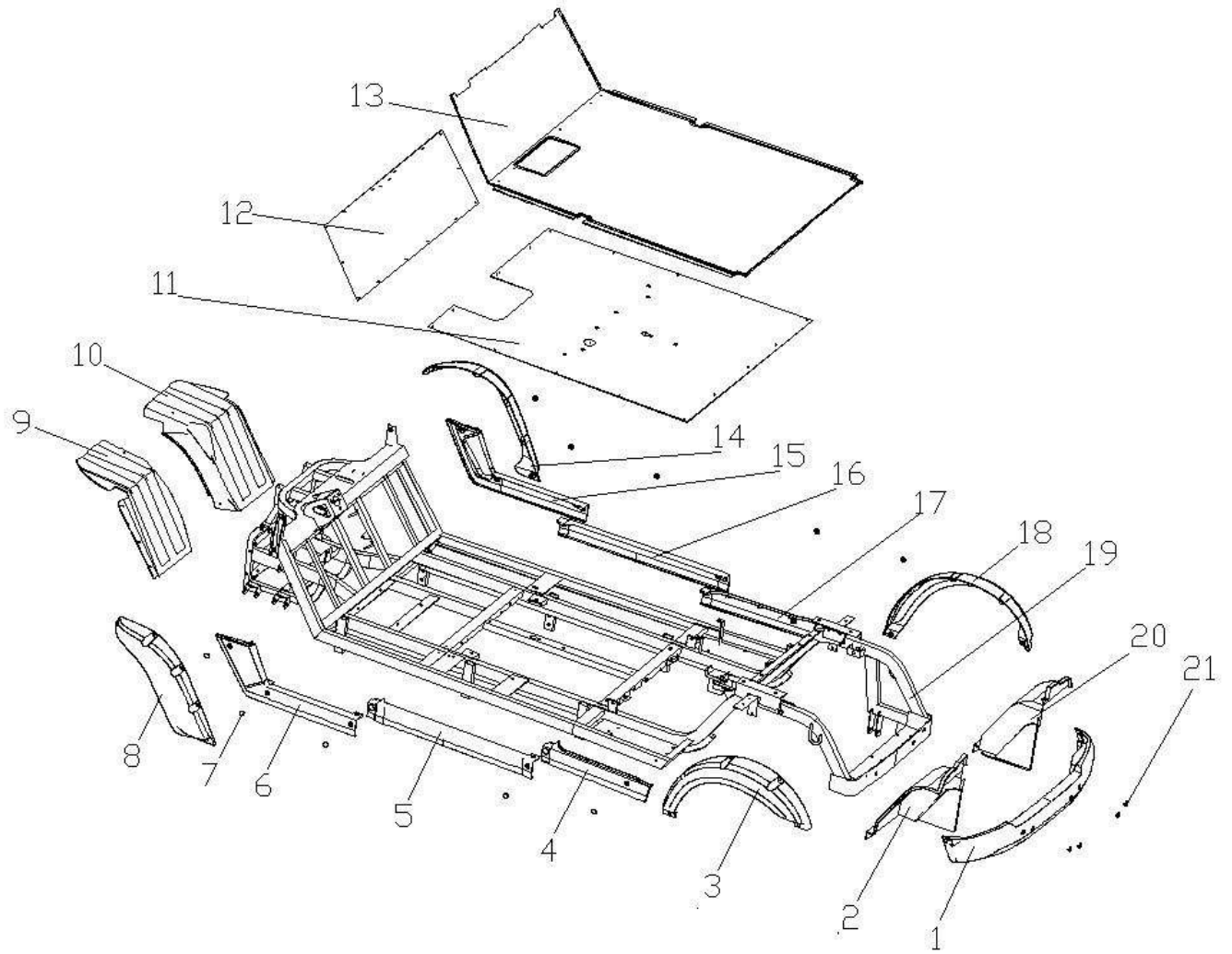
support@bintelli.com

TABLE OF CONTENTS

BODY TRIM	2
STEERING SYSTEM.....	4
STEERING GEAR ASSEMBLY.....	5
FRONT SUSPENSION ASSEMBLY.....	6
REAR SUSPENSION ASSEMBLY.....	7
REAR AXLE ASSEMBLY - LIFTED CART.....	8
REAR AXLE ASSEMBLY - LOWERED CART	9
TIRE ASSEMBLY	10
BRAKE SYSTEM.....	11
FRONT BODY COVER DASHBOARD ASSEMBLY	12
DASHBOARD COMPONENTS.....	13
REAR BODY COVER ASSEMBLY.....	14
ROOF ASSEMBLY-2+2 SEATS LOWERED CART & LIFTED CART.....	15
ROOF ASSEMBLY - 4+2 SEATS LOWERED CART & LIFTED CART.....	17
MIDDLE SEAT BUCKET, SEAT.....	19
CUSHION, BACKREST ASSEMBLY.....	21
FLIP SEAT & BACKREST ASSEMBLY - 2+2, 4+2 SEATS LOWERED CART & LIFTED CART.....	22-25
REAR PEDAL ASSEMBLY - 2+2, 4+2 SEATS LOWERED CART & LIFTED CART.....	26
ELECTRONIC CONTROL.....	27
WIRING	28
LOWERED CART FRONT BUMPER & BRUSH GUARD.....	29
LIFTED CART FRONT BUMPER & BRUSH GUARD.....	31
SIDE STEP-LIFTED CART	33

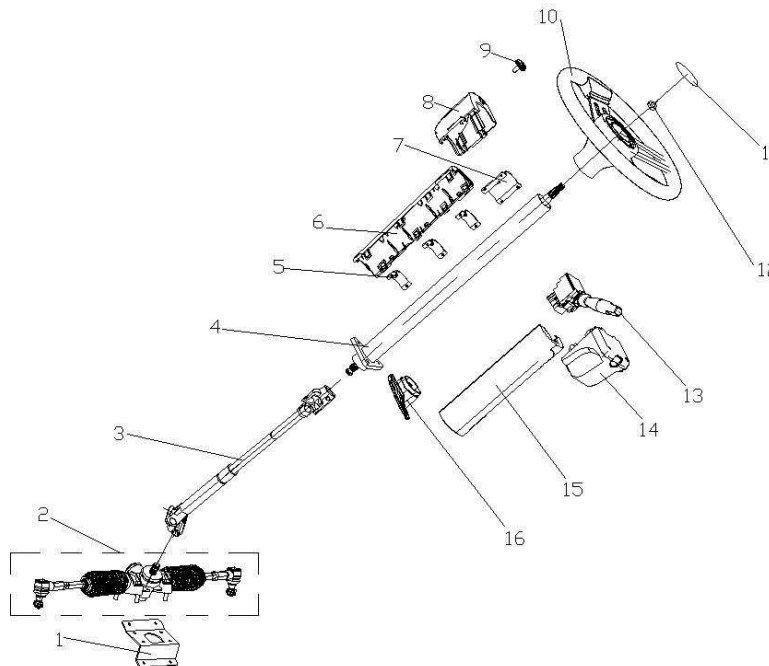
BODY TRIM

NO.	Part Number	Description	Pieces
1	F0102045017	Rear Liner	1
2	F0102045013.1	Rear Mud Guard (Left)	1
3	F0102045025.1	Rear Fender Flare-Left (Lifted)	1
	F0102063042	Rear Fender Flare-Left	1
4	F0102045010.1	Rear Retainer-Left	1
5	F0102045009.1	Middle Retainer (Left)	1
6	F0102063016	Front Retainer-Left	1
7	F0102045063	Retainer Plastic Nail-4P	8
		Retainer Plastic Nail-6P	10
8	F0102077012	Left Fender Flare (Lifted)	1
	F0102063040	Left Fender Flare	1
9	F0103020022	Left Front Fender (Lifted)	1
	F0103020024	Left Front Fender	1
10	F0103020023	Right Front Fender (Lifted)	1
	F0103020025	Right Front Fender	1
11	F0102045502	Floor Mat 4 Passenger	1
	F0102081508	Floor Mat 6 Passenger	1
12	F0102063502	Floor Headboard	1
13	N/A	N/A	-
	N/A	N/A	-
14	F0102077013	Right Fender Flare (Lifted)	1
	F0102063041	Right Fender Flare	1
15	F0102063017	Front Retainer-Right	1
16	F0102045009.2	Middle Retainer (Right)	1
17	F0102045010.2	Rear Retainer-Right	1
18	F0102045025.2	Rear Fender Flare - Right (Lifted)	1
	F0102063043	Rear Fender Flare - Right	1
19	F0102077002	Chassis Frame Assembly 4 Passenger (Lifted) ***NOT A SPARE PART***	1
	F0102077001	Chassis Frame Assembly 4 Passenger ***NOT A SPARE PART***	1
	F0102081002	Chassis Frame Assembly 6 Passenger (Lifted) ***NOT A SPARE PART***	1
	F0102081001	Chassis Frame Assembly 6 Passenger ***NOT A SPARE PART***	1
20	F0102045013.2	Rear Mud Guard (Right)	1
21	F0102045063	Plastic Nail	4



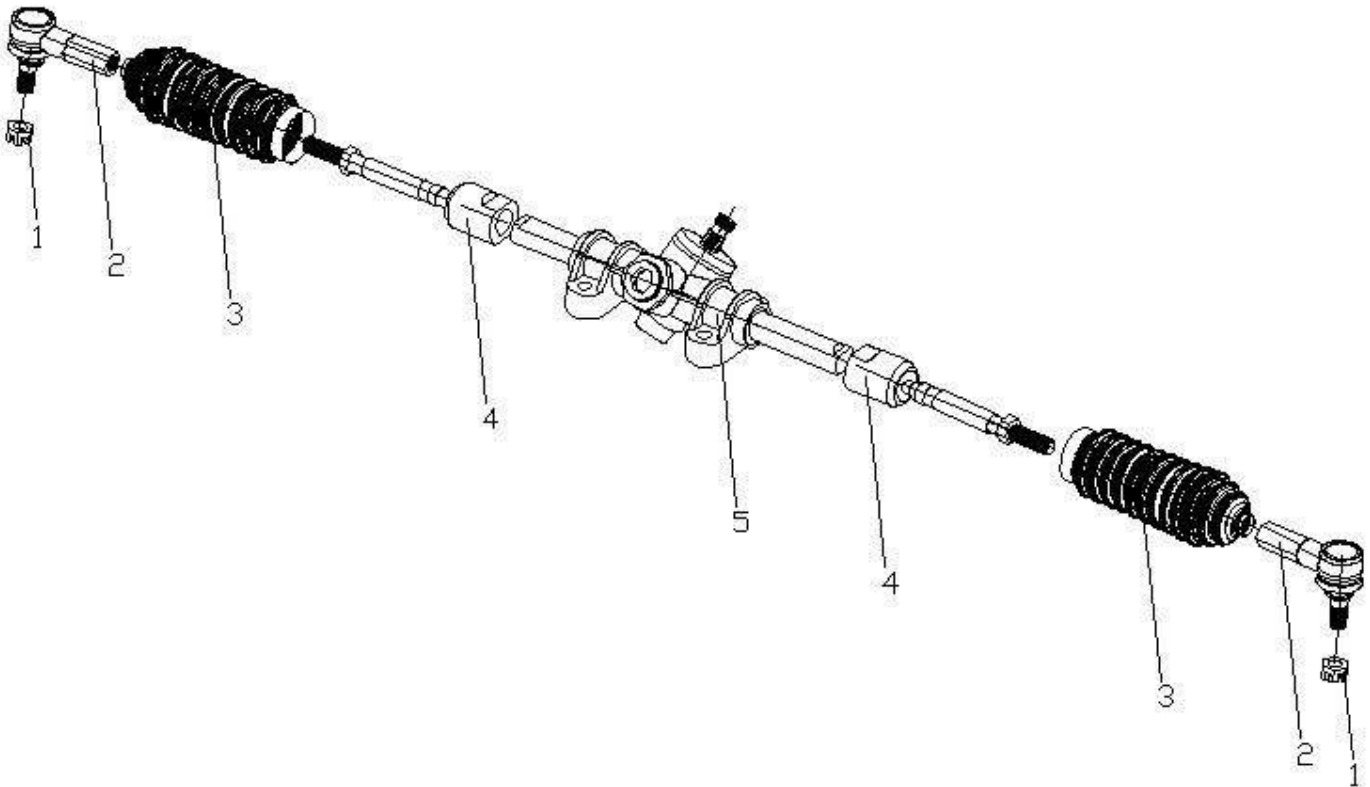
STEERING SYSTEM

NO.	Part Number	Description	Pieces
1	F0102081509	Steering Wheel Mounting Bracket	1
2	F0204003026	Steering Assembly (Lifted) (sold as assembly)	1
	F0204003025	Steering Assembly (sold as assembly)	
3	F0204004053	Universal Joint Assembly (Lifted Cart)	1
	F0204004052	Universal Joint Assembly	
4	F0204002031	Steering Column Assembly	1
5	F0204002033	Steering Column Hoop 2	3
6	F0102077040	Steering Column Cover-Right	1
7	F0204002032	Steering Column Hoop 1	1
8	F0309001107	Combination Switch Cover-Right	1
9	F0307003025	Mic	1
10	F0204001015	Steering Wheel	1
11	F0199002087	Steering Wheel Logo	1
12	F211900035	Hexagon Flange Nut M16*2	1
13	F0309001102	Combination Switch	1
14	F0309001106	Combination Switch Cover-Left	1
15	F0102077039	Steering Column Cover-Left	1
16	F0102077016	Steering Column Upper Gasket	1



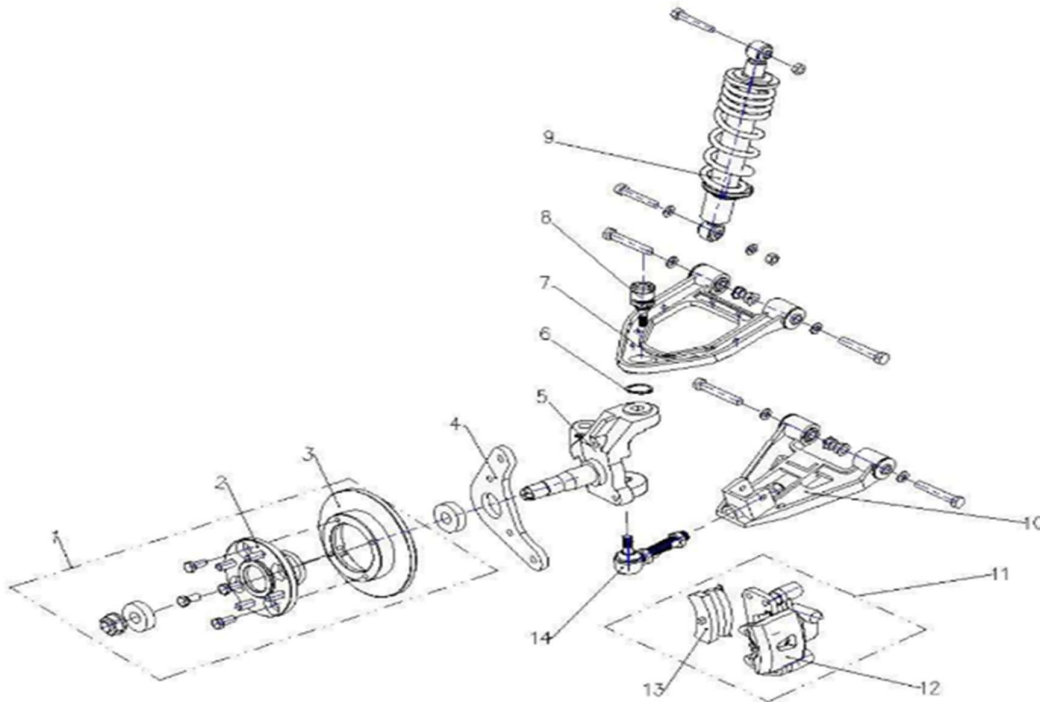
STEERING GEAR ASSEMBLY

NO.	Part Number	Description	Pieces
1	F2101053004	Slotted Hex Nut M12*1.25	2
2	F0204003026.4	Tie Rod End (Lifted) Sold as part of F0204003026	2
	F0204003025.4	Tie Rod End Sold as part of F0204003025	
3	F0204003026.2	Dust Cover (Lifted) Sold as part of F0204003026	2
	F0204003025.2	Dust Cover Sold as part of F0204003025	
4	F0204003026.3	Steering Tie Rod (Lifted) Sold as part of F0204003026	2
	F0204003025.3	Steering Tie Rod Sold as part of F0204003025	
5	F0204003026.1	Steering Gear Body (Lifted) Sold as part of F0204003026	2
	F0204003025.1	Steering Gear Body Sold as part of F0204003025	



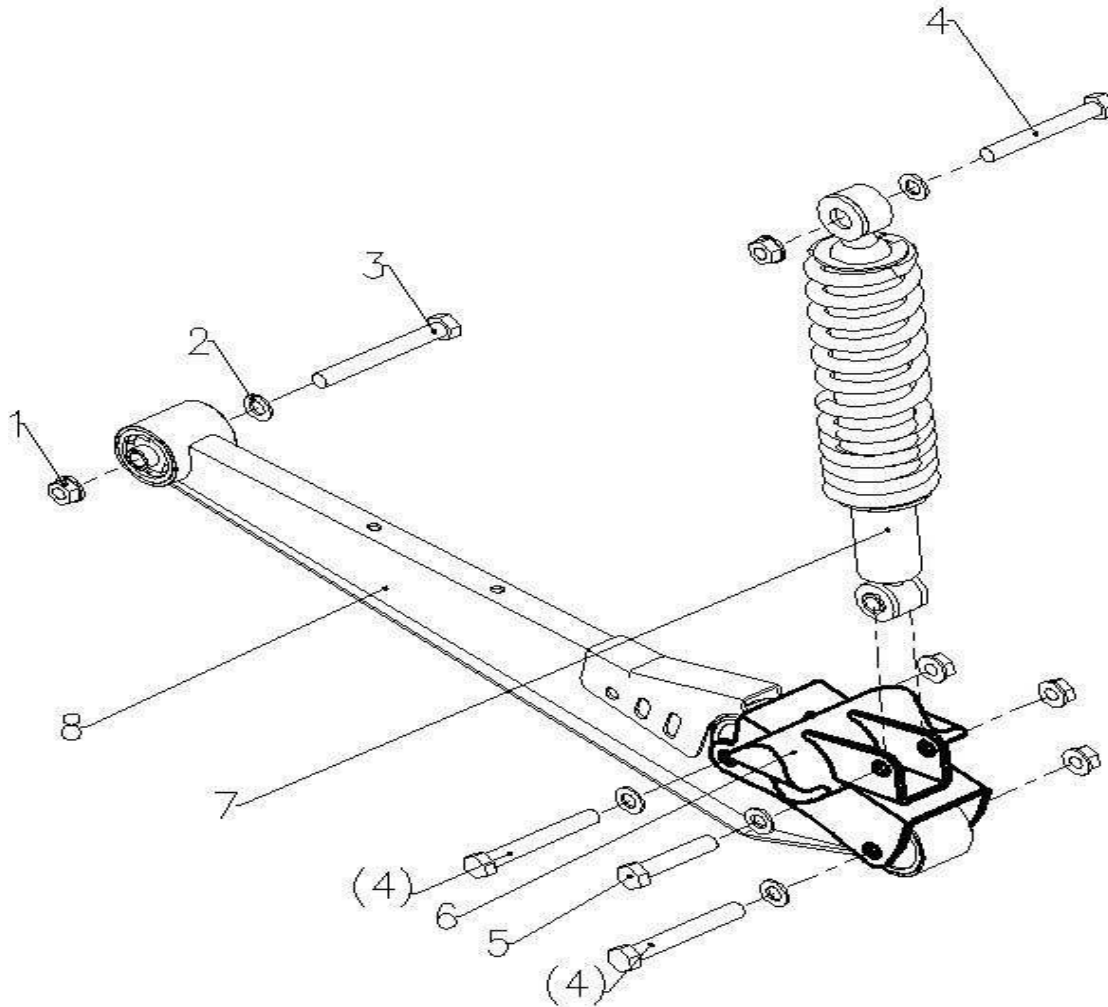
FRONT SUSPENSION ASSEMBLY

NO.	Part Number	Description	Pieces
1	F0201002018	Pulse Brake Disc Brake Hub Bearing Assembly (Come as assembly; 1-3 in diagram below)	2
2	F0201002018.1	Pulse Hub Assembly Sold as part of F0201002018	2
3	F0201002018.2	Pulse Brake Disc Sold as part of F0201002018	2
4	F0201002015	Front Pump Fixed Plate	2
5	F0201011011	Disc-Brake Spindle Left	1
	F0201011012	Disc-Brake Spindle Right	1
6	043134	Circlip 34	2
7	F0201013007	Upper Control Arm (Same On Both Sides)	2
8	F0201013007.1	Ball Joint	2
9	F0202006037	Front Shock Absorber (Lifted)	2
	F0202006036	Front Shock Absorber	2
10	F0201013008	Lower Control Arm Left	1
	F0201013009	Lower Control Arm Right	1
11	F0201002034	Front Brake Caliper Assembly-Left	1
	F0201002035	Front Brake Caliper Assembly-Right	1
12	F0201002034.1	Front Caliper-Left	1
	F0201002035.1	Front Caliper-Right	1
13	F0201002034.2	Brake Pad Left	1
	F0201002035.2	Brake Pad Right	1
14	F020103010	Adjustable Ball Housing Assembly	2



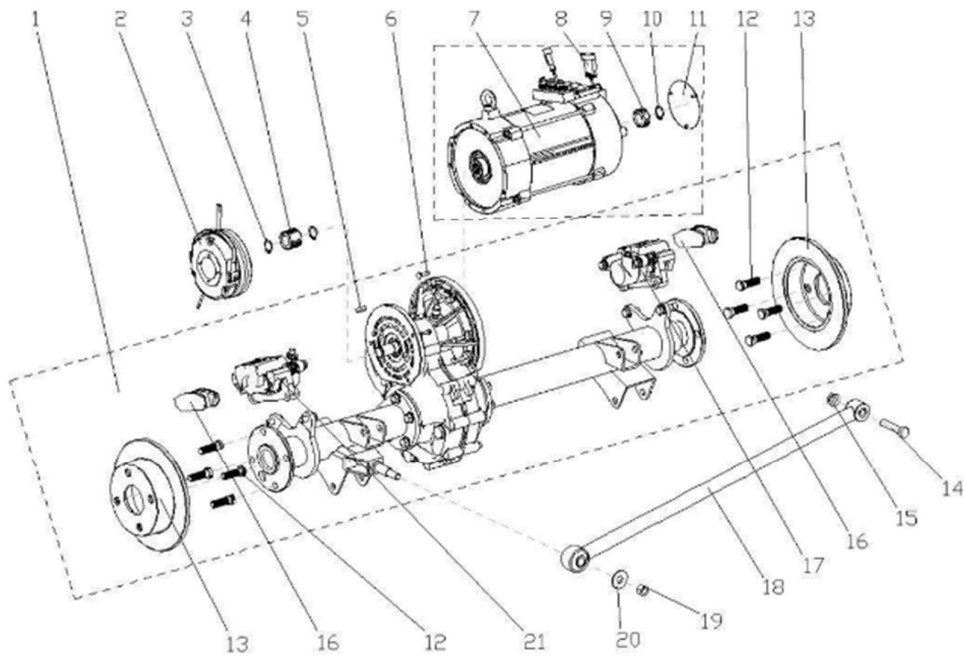
REAR SUSPENSION ASSEMBLY

NO.	Part Number	Description	Pieces
1	Y0301019093	Non-metallic Insert Hexagon Flange Nut M12	10
2	F2101081014	Flat Washer M12	10
3	Y0301010062	Hexagon Bolt M12x100	2
4	Y0301010061	Hexagon Bolt M12x90	6
5	Y0301010057	Hexagon Bolt M12x60	2
6	N/A	Rear Axle Part	-
7	F0202006081	Rear Shock Absorber Assembly 4 Passenger (Lifted)	2
	F0202006082	Rear Shock Absorber Assembly 6 Passenger (Lifted)	2
	F0202006085	Rear Shock Absorber Assembly 4 Passenger	2
	F0202006086	Rear Shock Absorber Assembly 6 Passenger	2
8	F0201013021	Rear Axle Tube Kit Assembly	2



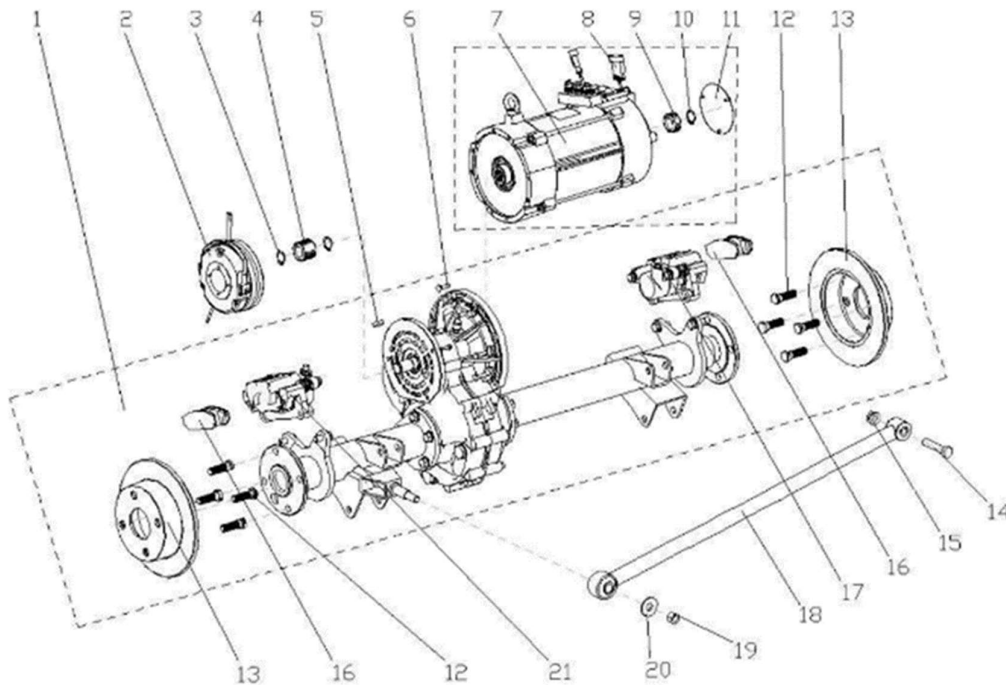
REAR AXLE ASSEMBLY – LIFTED CART

NO.	Part Number	Description	Pieces
1	F0201003108	Rear Transaxle Lifted Assembly	1
2	F0201004006	Electronic Parking Brake	1
3	Y0301025007	Circlip For Shaft	2
4	F0201004006.5	Steering Assembly Spacer	1
5	F0201004006.7	Flat Key	1
6	F2101043020	Flange Bolt M6*20	5
7	F0302002072	AC Motor	1
8	F0302002072.5	Speed Sensor	1
9	F0302002072.3	Impulse Wheel	1
10	F0302002072.2	Circlip For Shaft	1
11	F0302002072.1	End Cover	1
12	F0201003108.1	Tire Bolt M12	8
13	F0201003108.2	Brake Disc	2
14	Y0301010057	Hexagon Bolt M12x60	1
15	Y030109093	Non-metallic Insert Hexagon Flange Locking Nut M12	1
16	F0201003108.3	Brake Pad	2
17	F0201003108.5	Brake Caliper (Right)	1
18	F0201009030	Rear Stabilizer Bar	1
19	Y0301019057	Fine Thread Nut M12*1.25	1
20	Y0301020200	Enlarge Flat Washer M12	1
21	F0201003108.4	Brake Caliper (Left)	1



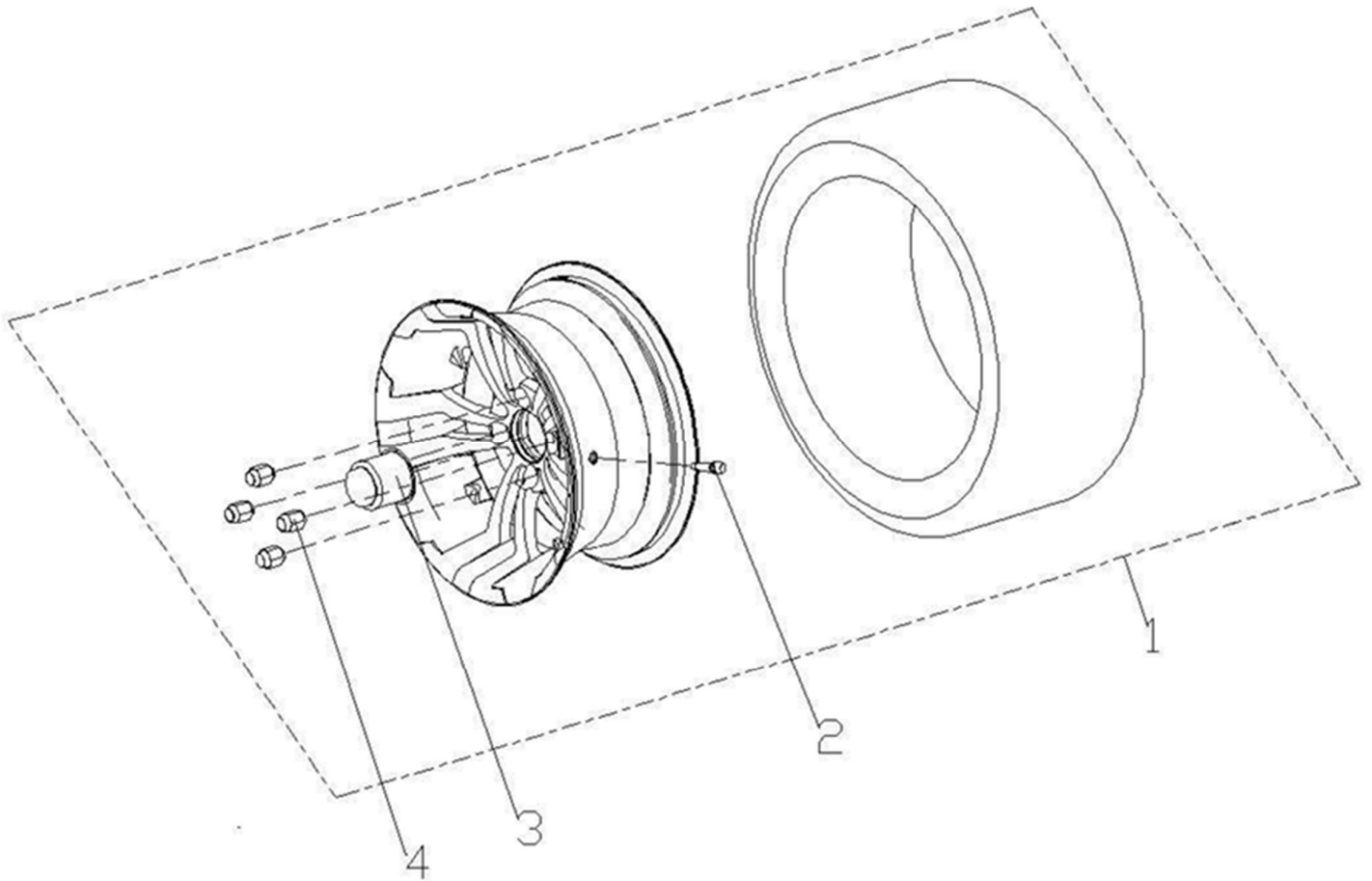
REAR AXLE ASSEMBLY – LOWERED CART

NO.	Part Number	Description	Pieces
1	F0201003109	Rear Transaxle Assembly	1
2	F0201004006	Electronic Parking Brake	1
3	Y0301025007	Circlip For Shaft	2
4	F0201004006.5	Steering Assembly Spacer	1
5	F0201004006.7	Flat Key	1
6	F2101043020	Flange Bolt M6*20	5
7	F0302002072	AC Motor	1
8	F0302002072.5	Speed Sensor	1
9	F0302002072.3	Impulse Wheel	1
10	F0302002072.2	Circlip For Shaft	1
11	F0302002072.1	End Cover	1
12	F0201003109.1	Tire Bolt M12	8
13	F0201003109.2	Brake Disc	2
14	Y0301010057	Hexagon Bolt M12x60	1
15	Y030109093	Non-metallic Insert Hexagon Flange Locking Nut M12	1
16	F0201003109.3	Brake Pad	2
17	F0201003109.5	Brake Caliper (Right)	1
18	F0201009030	Rear Stabilizer Bar	1
19	Y0301019057	Fine Thread Nut M12*1.25	1
20	Y0301020200	Enlarge Flat Washer M12	1
21	F0201003109.4	Brake Caliper (Left)	1



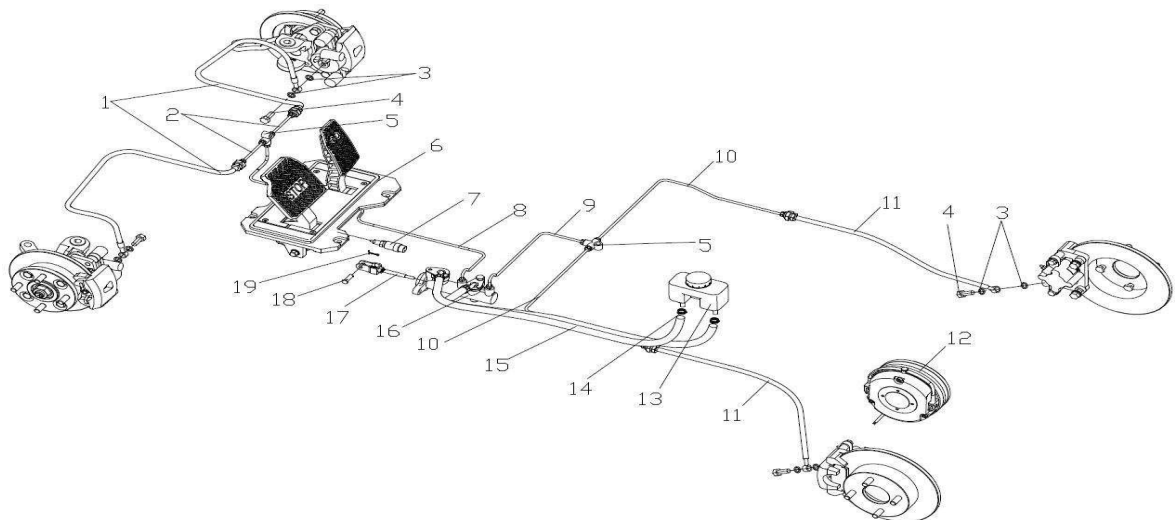
TIRE ASSEMBLY

NO.	Part Number	Description	Pieces
1	N/A	Tire Assembly/Lifted Cart	4 (Customization)
	N/A	Tire	
	N/A	Aluminum Ring	
	N/A	Tire Assembly/Lowered Cart	4 (Customization)
	N/A	Tire	
	N/A	Aluminum Ring	
2	N/A	Tire Valve	4
3	N/A	Large Shaft End Cover	4
4	F2101059003	Tire Nut (M12 x 1.25 Black Zinc Plating)	16



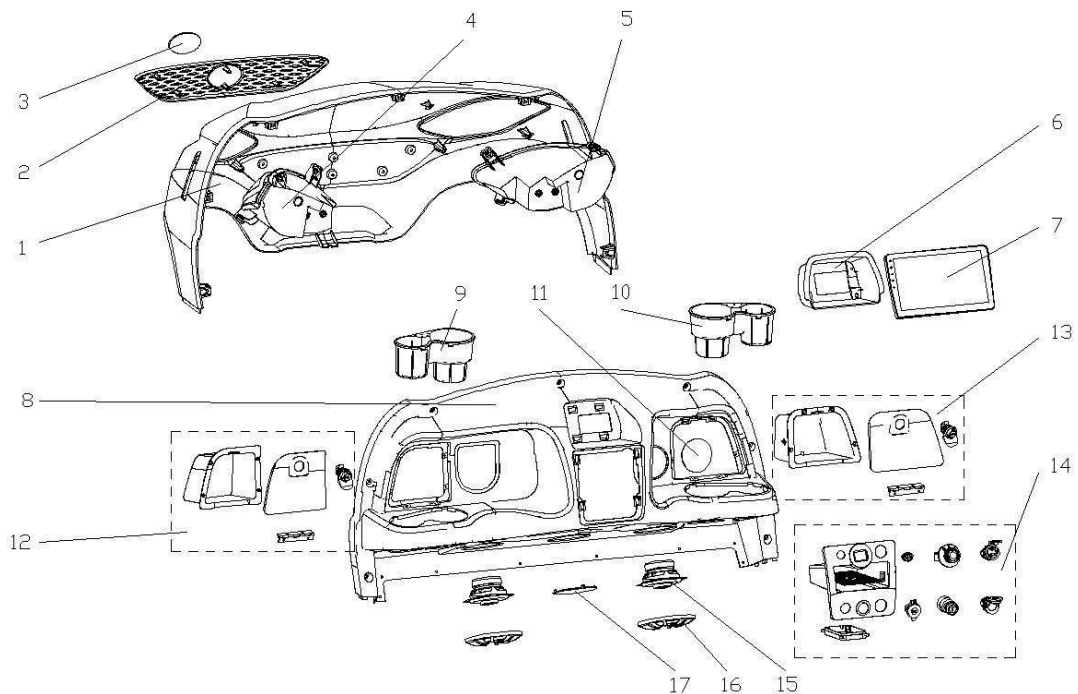
BRAKE SYSTEM

NO.	Part Number	Description	Pieces
1	F0203007009	Front Brake Hose/L460	2
2	F0203006043	Formed Brake Oil Pipe - Front (Left & Right) (Lifted Cart)	2
	F0203006048	Formed Brake Oil Pipe - Left Front (Lowered Cart)	1
	F0203006049	Formed Brake Oil Pipe - Right Front (Lowered Cart)	1
3	Y0211045	Combination Washer	8
4	D1901013	Hollow Bolt	4
5	D1901015	Three-way valve	2
6	F0303002008	Pedal Assembly	1
7	F0309005002	Brake Light Switch	1
8	F0203006042	Formed Brake Oil Pipe - Middle Front (Lifted Cart)	1
	F0203006047	Formed Brake Oil Pipe - Middle Front (Lowered Cart)	1
9	F0203006039	Formed Brake Oil Pipe - Middle Rear (2/2+2 Seats)	1
	F0203006044	Formed Brake Oil Pipe - Middle Rear (4/4+2 Seats)	1
10	F0203006045	Formed Brake Oil Pipe - Left Rear	1
	F0203006046	Formed Brake Oil Pipe - Right Rear	1
11	F0203007010	Brake Hose/L520	2
12	F0201004006	Electronic Parking Brake	1
13	D2201005	Brake Reservoir	1
14	F0203003104.5	Steel Strip Elastic Hoop	4
15	N/A	Brake Hose	2
16	F0203003104	Master Cylinder	1
17	F0203003104.2	Brake Master Cylinder Putter	1
18	F0203003104.3	Front Pin of Brake Cable	1
19	F0203003104.1	Cotter Pin	1



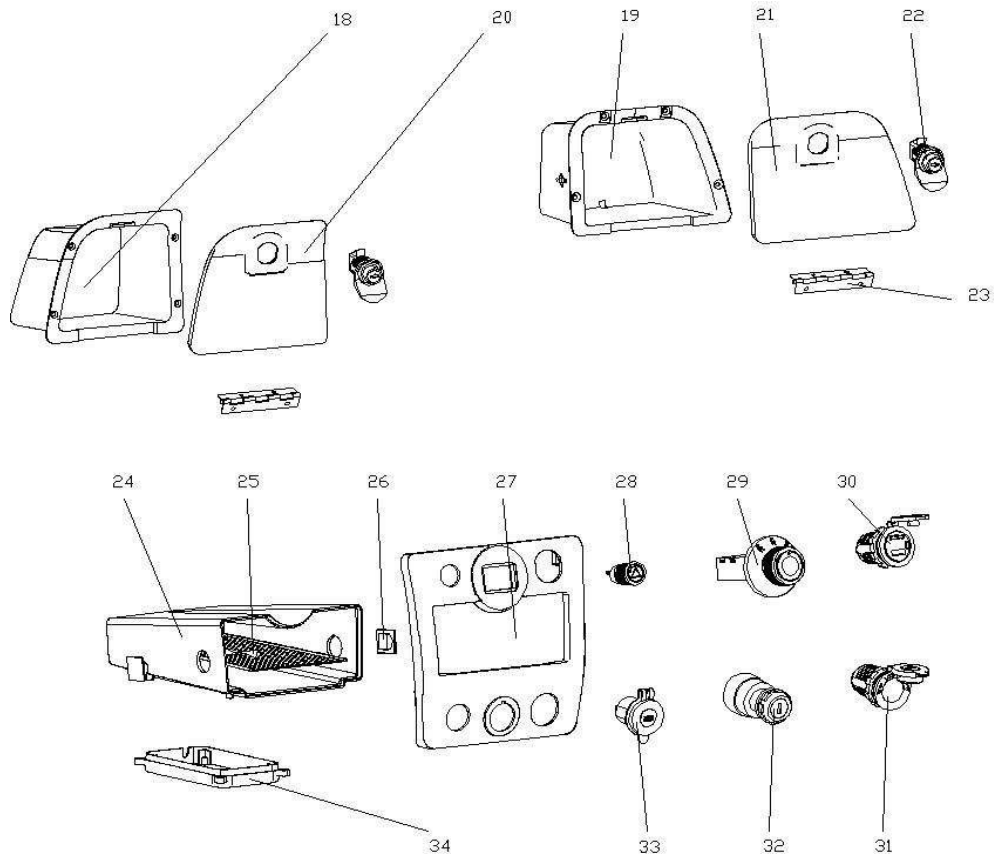
FRONT BODY COVER DASHBOARD ASSEMBLY

NO.	Part Number	Description	Pieces	
1	F0102077003-Charcoal	Front Cowl	Charcoal	1
	F0102077003-Electric Blue		Electric Blue	1
	F0102077503-Orange		Orange	1
	F0102077518-White		White	1
	F0102077519-Hydro		Hydro	1
	F0102077520-Sky		Sky	1
	F0102077521-Anvil		Anvil	1
2	F0102077041	Centre Grill	1	
3	F0102077042	Grill Logo	1	
4	F0308001049	LED Light Left	1	
5	F0308001050	LED Light Right	1	
6	F0102073008	Display Housing	1	
7	F0307001032	Reverse Dash Screen	1	
8	F0102077005	Dash Panel	1	
9	F0102063006	Cup Holder Left	1	
10	F0102063007	Cup Holder Right	1	
11	F0102077019	Dashboard Blanking Cap	1	
12	N/A	Glove Box Assembly - Left	1	
13	N/A	Glove Box Assembly - Right	1	
14	N/A	Central Control Panel Assembly	1	
15	F0307003026	Complete Speaker	2	
16	F0307004009	Speaker Cover	2	
17	F0102049025	Horn Cover	1	



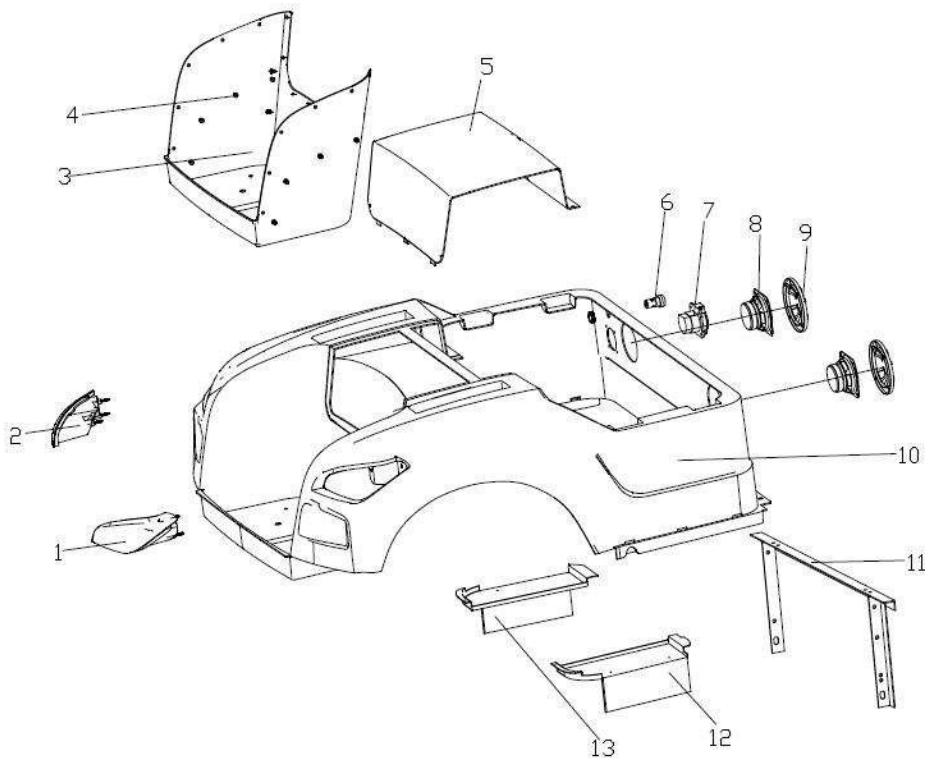
DASHBOARD COMPONENTS

NO.	Part Number	Description	Pieces
18	F0102077006	Glove Box-Left	1
19	F0102077007	Glove Box-Right	1
20	F0102077008	Glove Box Cover-Left	1
21	F0102077009	Glove Box Cover-Right	1
22	F0103003085	Glove Box Lock	2
23	F0103024057	Hinge Of Glove Box	2
24	F0102077011	Accessory Electrical Socket	1
25	F0103035087	Wireless Charging Phone Protective Pad	1
26	F0309004008	Button Switch (Standby Power Supply)/Blue Indicator Light	2
27	F0102077010	Central Control Switch Panel	1
28	F0309004007	Button Switch (Double Flashing)/including Plug-in/Black	1
29	F0309006006	Knob Shift Switch	1
30	F0309013050	PD Quick Charge	1
31	F0304017005	Cigar Lighter Base	1
32	F0309002212	Ignition	1
33	F0309013049	USB Port	1
34	F0399011001	Wireless Charger Assembly	1



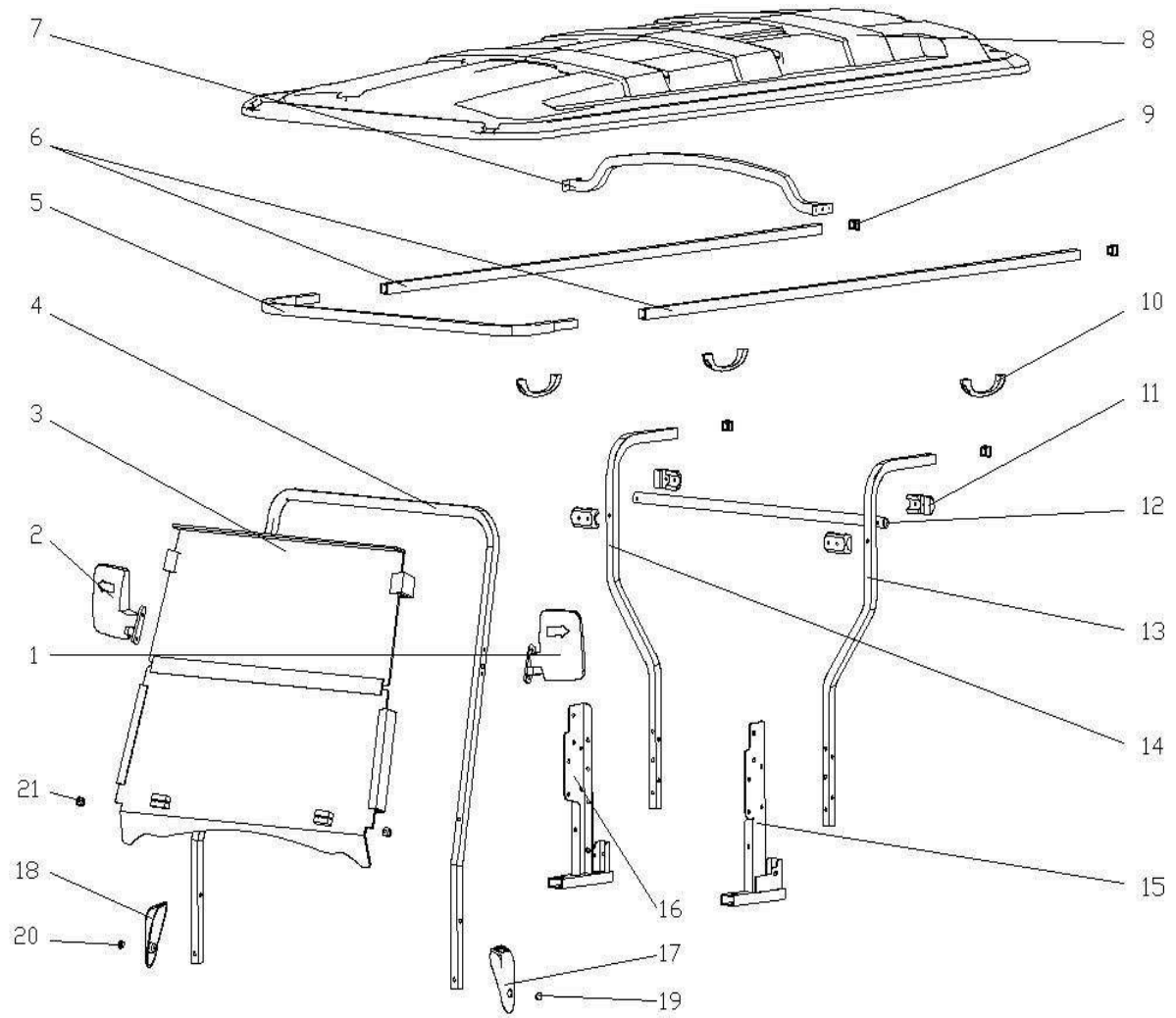
REAR BODY COVER ASSEMBLY

NO.	Part Number	Description	Pieces
1	F0102045021	Rear Light Right	1
2	F0102045020	Rear Light Left	1
3	F0102045012	Caddie Protection Pad	1
4	F0103064016	Snap Fastener	19
5	F0102045011	Electronic Control Access Cover	1
6	F0399007002	Charging Indicator Light {Lithium Battery Version}	11
7	F0301014026	Charging Socket	1
8	F0307003026	Complete Speaker	2
9	F0307004009	Speaker Cover	2
10	F0102045528-Charcoal	Rear Quarter Panel Charcoal	1
	F0102045528-Electric Blue	Rear Quarter Panel Electric Blue	
	F0102045538-Orange	Rear Quarter Panel Orange	
	F0102045539-White	Rear Quarter Panel White	
	F0102045540- Hydro	Rear Quarter Panel Hydro	
	F010204554-Sky	Rear Quarter Panel Sky	
	F010204554-Anvil	Rear Quarter Panel Anvil	1
11	F0102047503	Seat Bucket Bracket	1
12	F0102063028	Rear Hood Water Deflector-Left	1
13	F0102063029	Rear Hood Water Deflector-Right	1



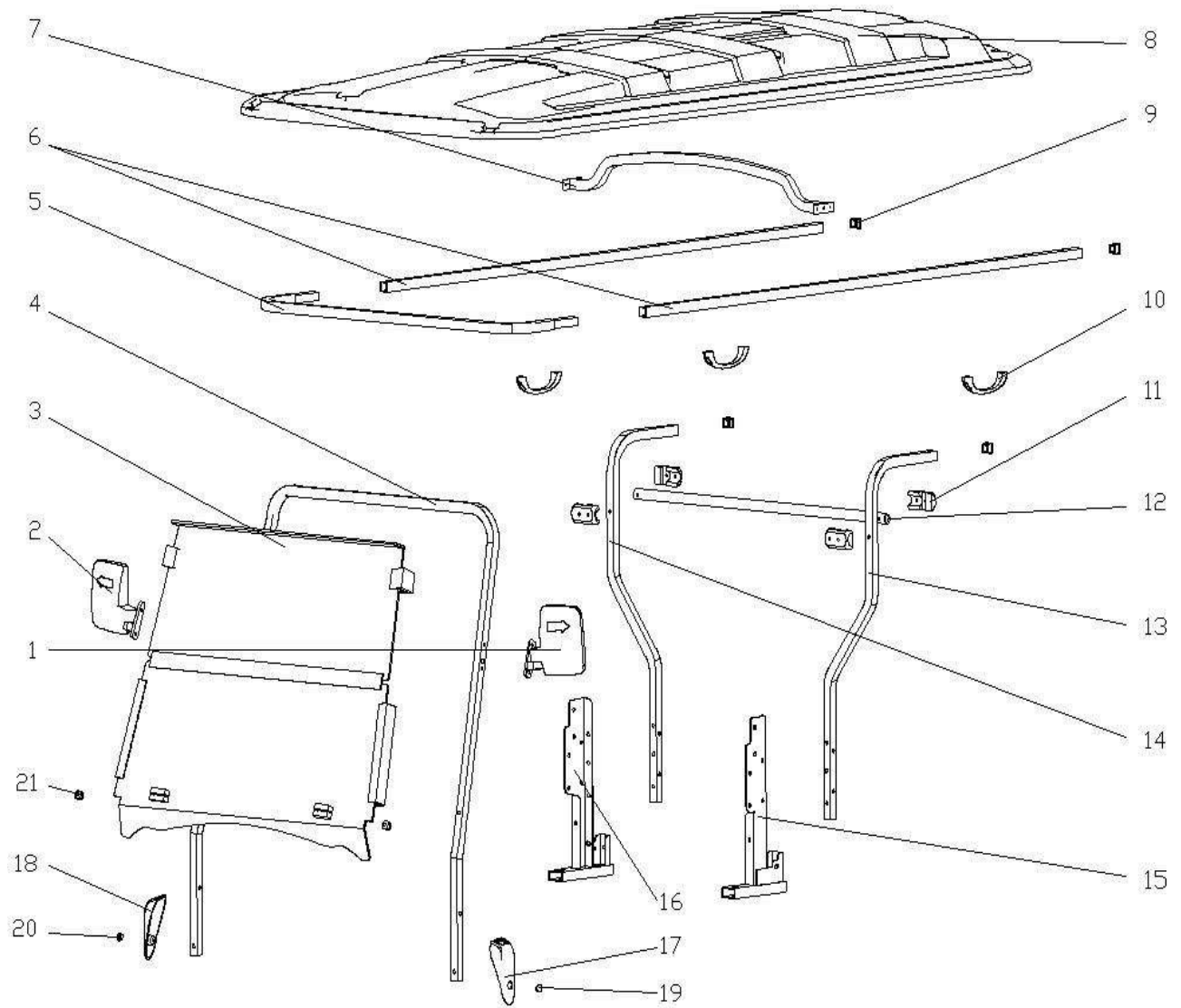
ROOF ASSEMBLY - 2+2 SEATS LOWERED CART & LIFTED CART

NO.	Part Number	Description	Pieces	
1	F0103017039	Side Mirror Left	1	
2	F0103017040	Side Mirror Right	1	
3	F0103009031	Laminated Windshield	1	
4	F0102081501	Laminated Windshield Frame	1	
5	F0103016008	Interior Rearview Mirror	1	
6	F0102081502	F0102081502.1	4 Roof Frame	1
7		F0102081502.2	6 Roof Frame	2
8	F0102081510	Roof Reinforcement Beam	1	
9	F0102081503-Charcoal	Roof	4p Charcoal Roof	1
	F0102081503-Electric Blue		4p Electric Blue Roof	
	F0102081504-Orange		4p Orange Roof	
	F0102081505-White		4p White Roof	
	F0102081506-Hydro		4p Hydro Roof	
	F0102081507-Sky		4p Sky Roof	
	F0102081507-Anvil		4p Anvil Roof	
10	F0102040033	Square Tube Rubber Blanking Cap	4	
11	F0103025019	Handle	3	
12	F0102045064	Caddie Handle Fixing Bracket	4	
13	F0102077517	Caddie Handle	2	
14	F0102077515	Roof Rear Support (Left)	1	
15	F0102077516	Roof Rear Support (Right)	1	
16	F0102077509	Roof Support Reinforcement (Left)	1	
17	F0102077510	Roof Support Reinforcement (Right)	1	
18	F0102077014	Roof Front Strut Sheath Left	1	
19	F0102077015	Roof Front Strut Sheath Right	1	
20	F0102063033	Left Sheath - Blanking Cap	1	
21	F0102063034	Right Sheath - Blanking Cap	1	
22	F0103009031.1	Rubber Plug	1	



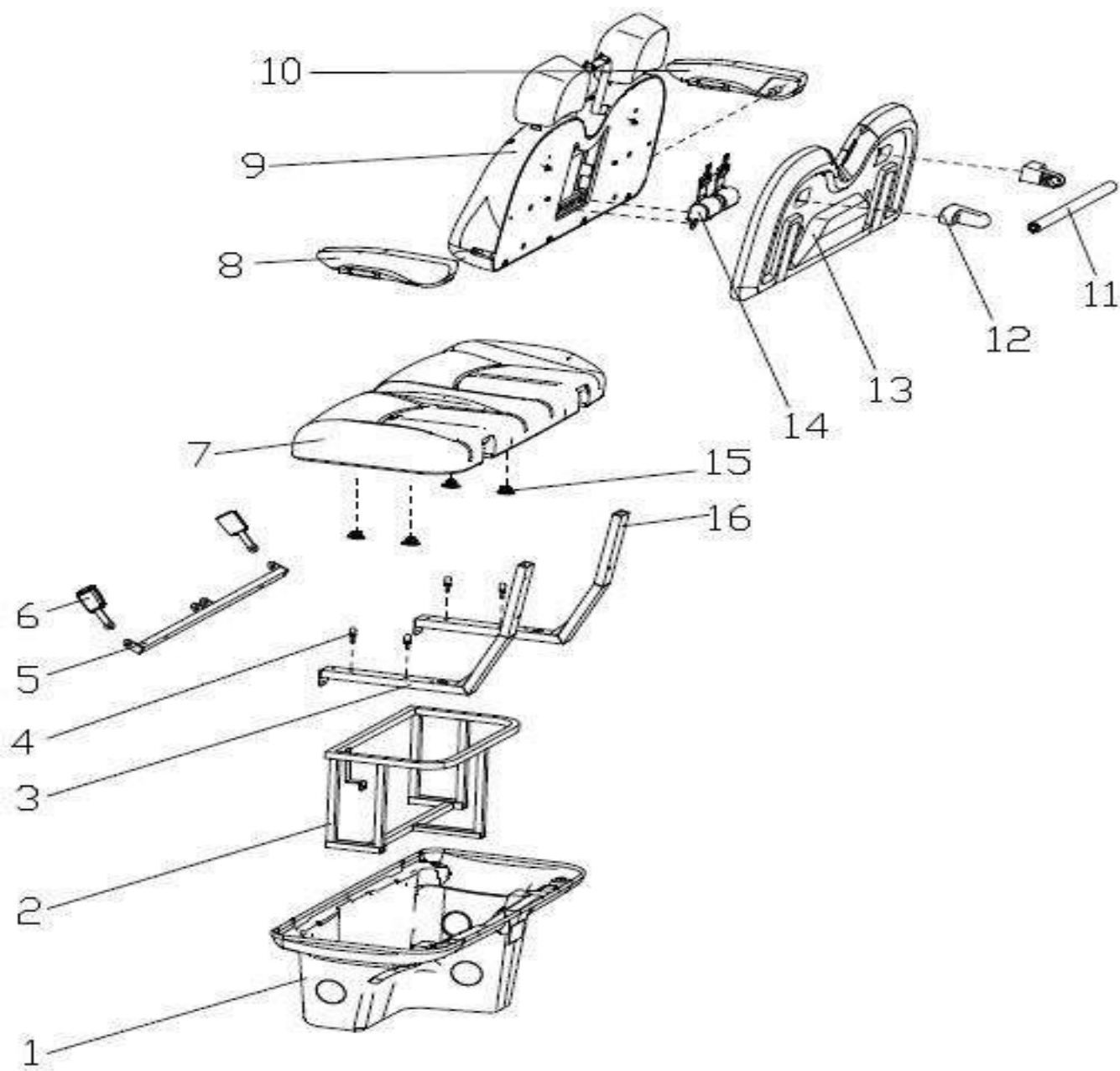
ROOF ASSEMBLY - 4+2 SEATS LOWERED CART & LIFTED CART

NO.	Part Number	Description	Pieces	
1	F0103017039	Side Mirror Left	1	
2	F0103017040	Side Mirror Right	1	
3	F0103009031	Laminated Windshield	1	
4	F0102081501	Laminated Windshield Frame	1	
5	F0103016008	Interior Rearview Mirror	1	
6	F0102081502	F0102081502.1	4 Roof Frame	1
7		F0102081502.2	6 Roof Frame	2
8	F0102081510	Roof Reinforcement Beam	1	
9	F0102084501-Charcoal	Roof	6p Charcoal Roof	1
	F0102084501-Electric Blue		6p Electric Blue Roof	
	F0102084502-Orange		6p Orange Roof	
	F0102084503-White		6p White Roof	
	F0102084504-Hydro		6p Hydro Roof	
	F0102084505-Sky		6p Sky Roof	
	F0102084505-Anvil		6p Anvil Roof	
10	F0102040033	Square Tube Rubber Blanking Cap	4	
11	F0103025019	Handle	3	
12	F0102045064	Caddie Handle Fixing Bracket	4	
13	F0102077517	Caddie Handle	2	
14	F0102077515	Rear Support (Left)	1	
15	F0102077516	Rear Support (Right)	1	
16	F0102077509	Roof Support Reinforcement (Left)	1	
17	F0102077510	Roof Support Reinforcement (Right)	1	
18	F0102077014	Roof Front Strut Sheath Left	1	
19	F0102077015	Roof Front Strut Sheath Right	1	
20	F0102063033	Left Sheath-Blanking Cap	1	
21	F0102063034	Right Sheath-Blanking Cap	1	
22	F0103009031.1	Rubber Plug	1	



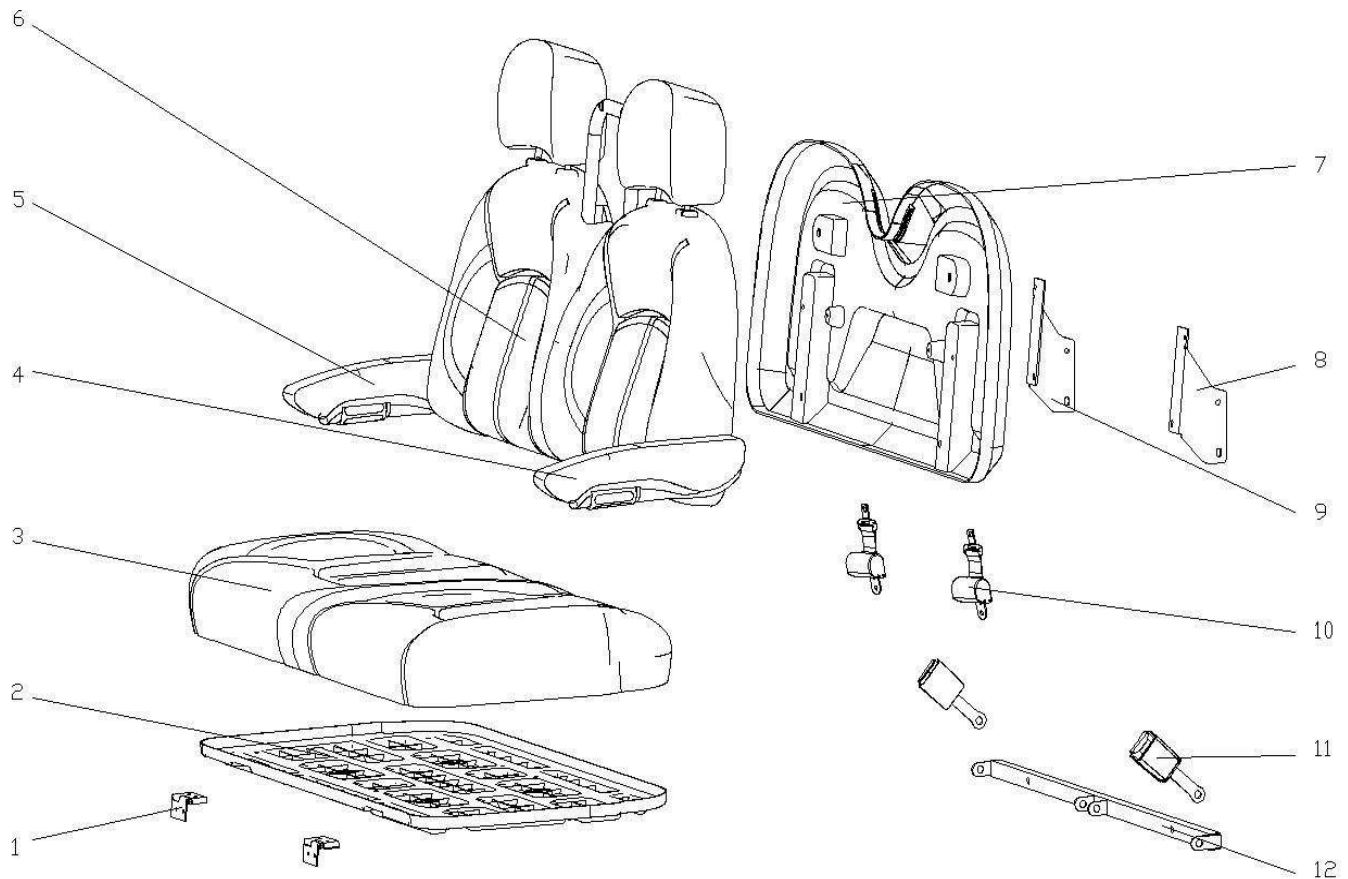
MIDDLE SEAT BUCKET, SEAT

NO.	Part Number	Description	Pieces
1	F0102045530-Charcoal	Charcoal Seat Panel	1
	F0102045530-Electric Blue	Electric Blue Seat Panel	
	F0102045546-Orange	Orange Seat Panel	
	F0102045547-White	White Seal Panel	
	F0102045548-Hydro	Hydro Seat Panel	
	F0102045549-Sky	Sky Seat Panel	
	F0102045549-Anvil	Anvil Seat Panel	1
2	F0102064501	Middle Seat Frame	1
3	F0102077511	Backrest Bracket-Left	1
4	F0103015006.1	Ball Joint	4
5	F010204 7504	Seat Belt Mounting Bracket	1
6	F0103013011.1	Female Seat Belt	2
7	F0103014289-Charcoal	Charcoal Middle Seat Cushion	1
	F0103014289-Electric Blue	Electric Blue Middle Seat Cushion	1
	F0103014289-Orange	Orange Middle Seat Cushion	1
	F0103014289-White	White Middle Seat Cushion	1
	F0103014289-Hydro	Hydro Middle Seat Cushion	1
	F0103014289-Sky	Sky Middle Seat Cushion	1
	F0103014289-Anvil	Anvil Middle Seat Cushion	1
8	F0103014290.1	Armrest Left	1
9	F0103014290-Charcoal	Charcoal Backrest	1
	F0103014290-Electric Blue	Electric Blue Backrest	1
	F0103014290-Orange	Orange Backrest	1
	F0103014290-White	White Backrest	1
	F0103014290-Hydro	Hydro Backrest	1
	F0103014290-Sky	Sky Backrest	1
	F0103014290-Anvil	Anvil Backrest	1
10	F0103014290.2	Armrest Right	1
11	F0102077038	Rear Handle	1
12	F0102077037	Rear Handle Fixing Bracket	2
13	F0102077035	Backrest Cover	1
14	F0103013011	Complete 3pt Seat Belt	2
15	F0103015006	Seat Plastic Buckle	4
16	F0102077512	Backrest Bracket-Right	1



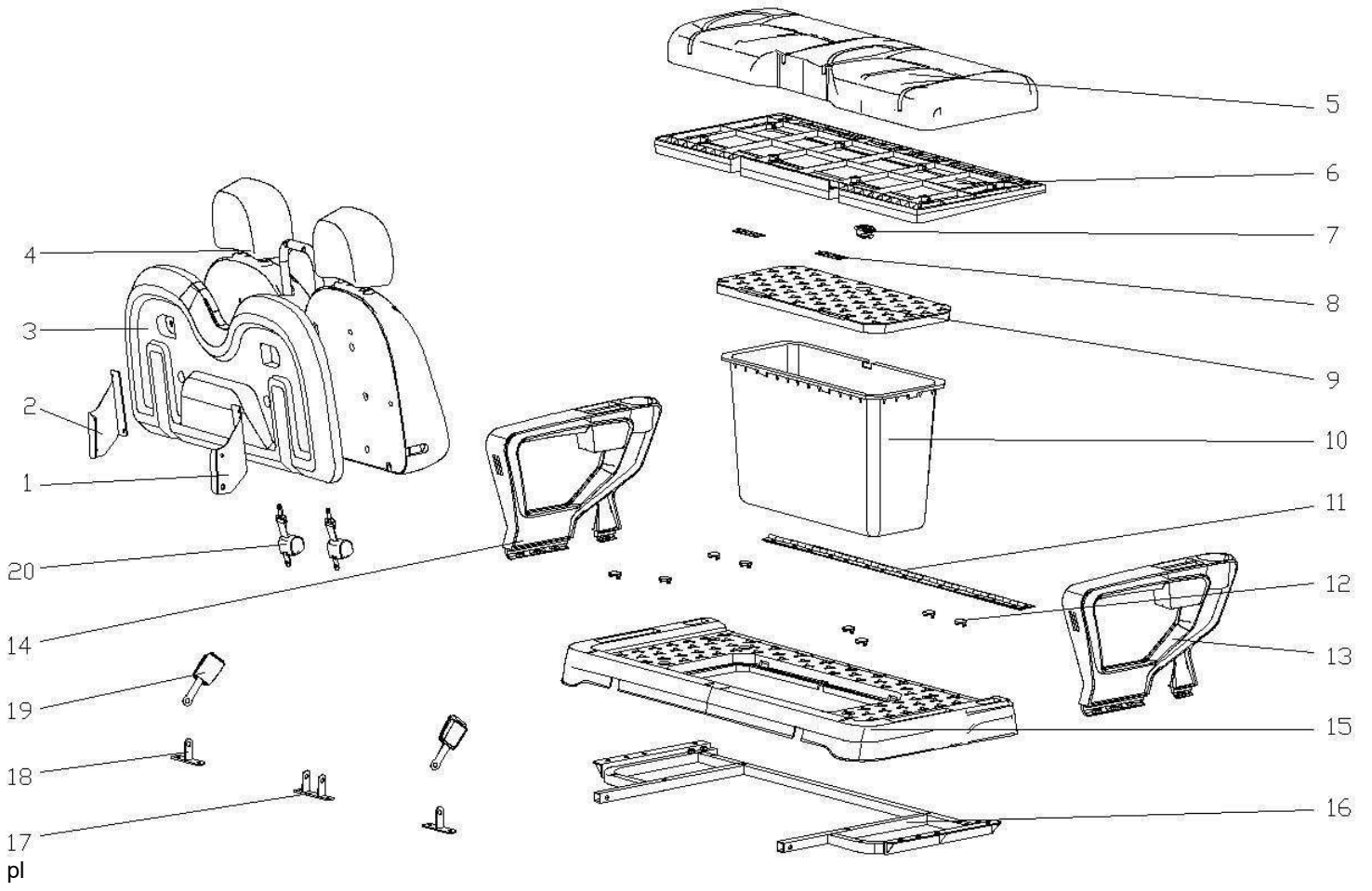
CUSHION, BACKREST ASSEMBLY

NO.	Part Number	Description	Pieces
1	F0103015040	Hinge	2
2	F0102077036	Cushion Floor	1
3	F0103014287-Charcoal	Charcoal Cushion	1
	F0103014287-Electric Blue	Electric Blue Cushion	1
	F0103014287-Orange	Orange Cushion	1
	F0103014287-White	White Cushion	1
	F0103014287-Hydro	Hydro Cushion	1
	F0103014287-Sky	Sky Cushion	1
	F0103014287-Anvil	Anvil Cushion	1
4	F0103014290.1	Armrest-Left	1
5	F0103014290.2	Armrest-Right	1
6	F0103014290-Charcoal	Charcoal Backrest	1
	F0103014290-Electric Blue	Electric Blue Backrest	1
	F0103014290-Orange	Orange Backrest	1
	F0103014290-White	White Backrest	1
	F0103014290-Hydro	Hydro Backrest	1
	F0103014290-Sky	Sky Backrest	1
	F0103014290-Anvil	Anvil Backrest	1
7	F0102077035	Backrest Cover	1
8	F0102077507	Armrest-Left	1
9	F0102077508	Armrest-Right	1
10	F0103013011	Complete 3pt Seat Belt	2
11	F0103013011.1	Seat Belt Buckle	2
12	F0102047504	Seat Belt Bracket	1



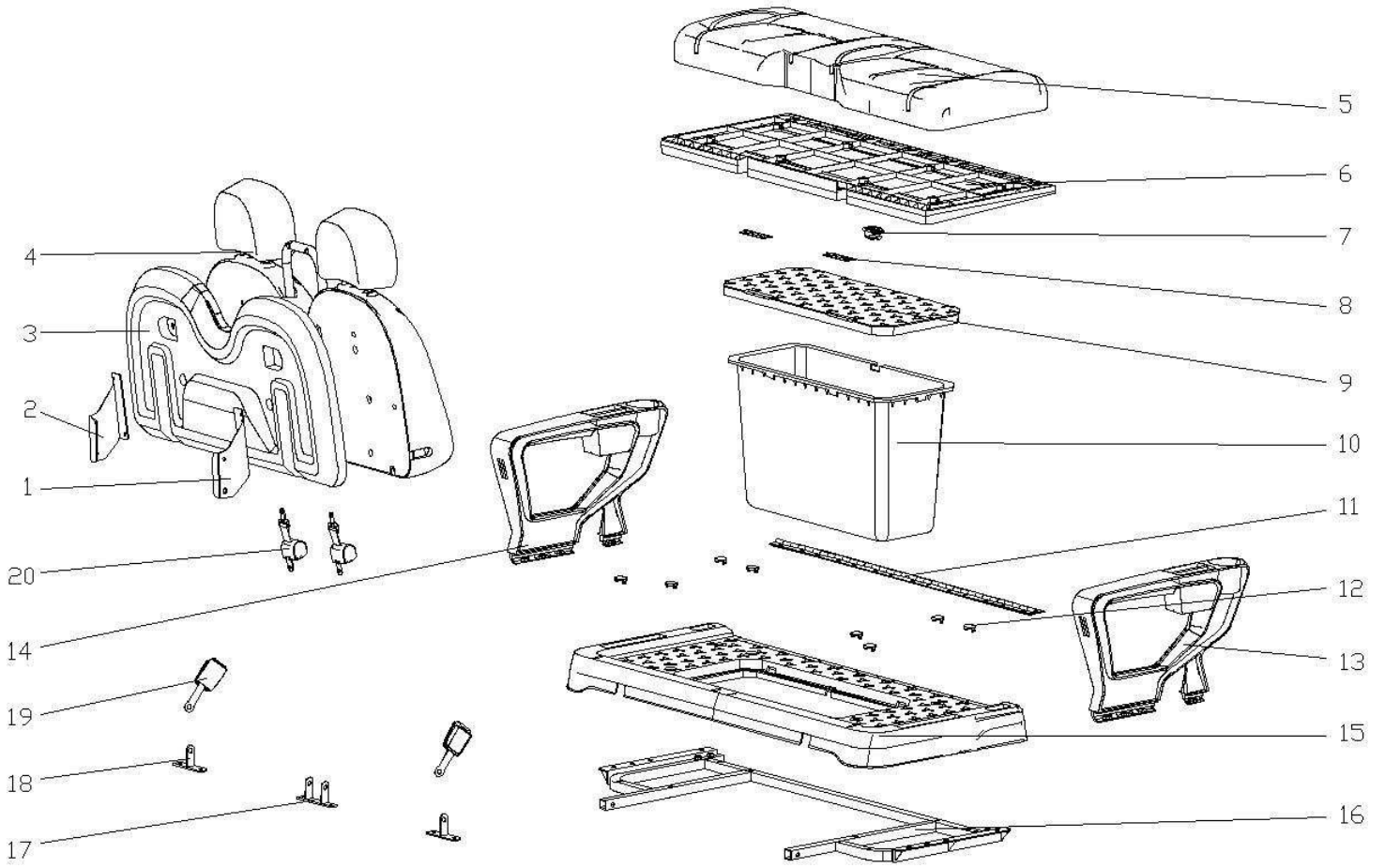
**FLIP SEAT & BACKREST ASSEMBLY - 2+2, 4+2 SEATS LOWERED CART & LIFTED CART
{USED BEFORE 160 UNITS}**

NO.	Part Number	Description	Pieces
1	F0102077522	Rear Back Bracket Left	1
2	F0102077523	Rear Back Bracket Right	1
3	F0102077035	Backrest Cover	1
4	F0103014291-Charcoal	Charcoal Backward Backrest	1
	F0103014291-Electric Blue	Pulse Electric Blue Backward Backrest	1
	F0103014291-Orange	Orange Backward Backrest	1
	F0103014291-White	White Backward Backrest	1
	F0103014291-Hydro	Hydro Backward Backrest	1
	F0103014291-Sky	Sky Backward Backrest	1
	F0103014291-Anvil	Anvil Backward Backrest	1
5	F0103014288-Charcoal	Charcoal Flip Seat Rear Bottom Cushion	1
	F0103014288-Electric Blue	Electric Blue Flip Seat Rear Bottom Cushion	1
	F0103014288-Orange	Orange Flip Seat Rear Bottom Cushion	1
	F0103014288-White	White Flip Seat Rear Bottom Cushion	1
	F0103014288-Hydro	Hydro Flip Seat Rear Bottom Cushion	1
	F0103014288-Sky	Sky Flip Seat Rear Bottom Cushion	1
	F0103014288-Anvil	Anvil Flip Seat Rear Bottom Cushion	1
6	F0102081010	Cushion Flap	1
7	F0102081016	Spring Lock	1
	F0103035089	Reverse Kit Cooler Latch	1
8	F0102081015.1	Ice Bucket Hinge	2
9	F0102081014	Ice Bucket Cover	1
10	F0102081015	Ice Bucket	1
11	F0102081011	Flip Hinge	7
	F0102081012	Flip Hinge Axis	1
12	F0102081018	Flip Seat Blanking Cap	24
13	F0102081013.1	Flip Seat Armrest - Left	1
14	F0102081013.2	Flip Seat Armrest - Right	1
15	F0102081009	Flip Seat Floor	1
16	F0102078504	Flip Seat Reinforcement Frame	1
17	F0102081519	Seat Belt Bracket 1	1
18	F0102081520	Seat Belt Bracket 2	1
19	F0103013014.1	ELR 3-point Seat Belt Buckle	2
20	F0103013014	ELR 3-point Seat Belt	2



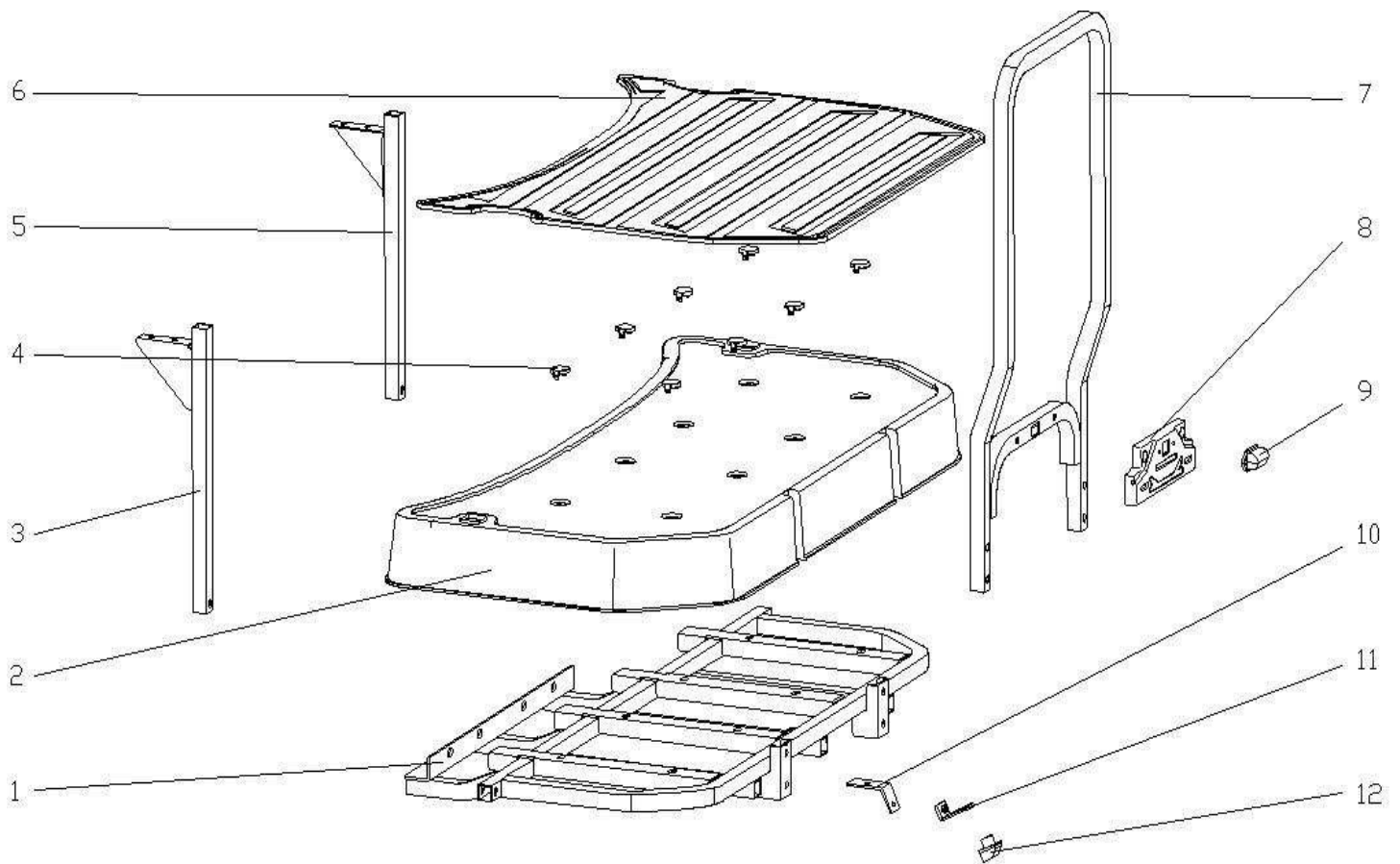
FLIP SEAT & BACKREST ASSEMBLY- LOWERED CART & LIFTED CART (USED AFTER 160 UNITS)

NO.	Part Number	Description	Pieces	Remark
1	F0102077522	Rear Back Bracket - Left	1	
2	F0102077523	Rear Back Bracket - Right	1	
3	F0102077035	Backrest Cover	1	
4	F0103014291-Charcoal	Charcoal Backward Backrest	1	
	F0103014291-Electric Blue	Pulse Electric Blue Backward Backrest	1	
	F0103014291-Orange	Orange Backward Backrest	1	
	F0103014291-White	White Backward Backrest	1	
	F0103014291-Hydro	Hydro Backward Backrest	1	
	F0103014291-Sky	Sky Backward Backrest	1	
	F0103014291-Anvil	Anvil Backward Backrest	1	
5	F0103014288-Charcoal	Charcoal Flip Seat Rear Bottom Cushion	1	
	F0103014288-Electric Blue	Electric Blue Flip Seat Rear Bottom Cushion	1	
	F0103014288-Orange	Orange Flip Seat Rear Bottom Cushion	1	
	F0103014288-White	White Flip Seat Rear Bottom Cushion	1	
	F0103014288-Hydro	Hydro Flip Seat Rear Bottom Cushion	1	
	F0103014288-Sky	Sky Flip Seat Rear Bottom Cushion	1	
	F0103014288-Anvil	Anvil Flip Seat Rear Bottom Cushion	1	
6	F0102081010	Cushion Flap	1	
7	F0102081016	Spring Lock	1	
	F0103035089	Ice Bucket Rubber Plug	1	
8	F0102081015.1	Ice Bucket Hinge	2	
9	F0102081014	Ice bucket Cover	1	
10	F0102081015	Ice Bucket	1	
11	F0102081011	Flip Hinge	7	
	F0102081012	Flip Hinge Axis	1	
12	F0102081018	Flip Seat Blanking Cap	24	
13	F0102081013.1 F0102081013.2	Flip Seat Armrest	2	
14	F0102081009	Flip Seat Floor	1	
15	F0102081511	Flip Seat Reinforcement Frame	1	Used After 160 Units
16	F0103013014.1	ELR 3-point Seat Belt Buckle	2	
17	F0103013014	ELR 3-point Seat Belt	2	



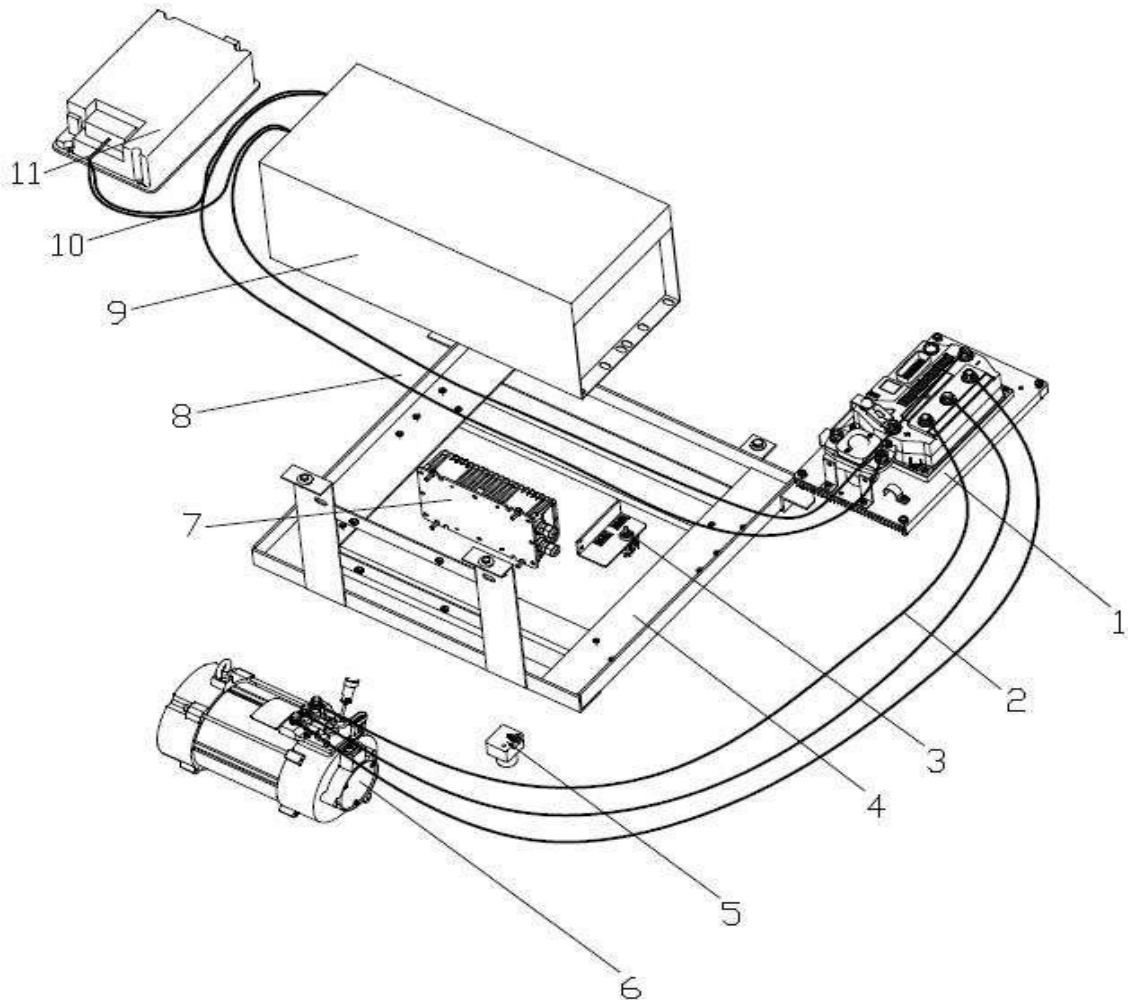
REAR PEDAL ASSEMBLY - 2+2, 4+2 SEATS LOWERED CART & LIFTED CAR

NO.	Part Number	Description	Pieces
1	F0102081514	Pedal Frame Assembly	1
2	F0102081017	Flip Seat Pedal	1
3	F0102081512	Foot Pedal Connecting Beam - Left	1
4	F0102081018	Flip Seat Blanking Cap	8
5	F0102081513	Foot Pedal Connecting Beam - Right	1
6	F0103027117	Rear Pedal Formed Floor Leather	1
7	F0102081515	Rear Grab Bar	1
8	F0102077043	License Plate Frame	1
9	F0308011004	Light Of License Plate	1
10	F0102081516	Camera Mounting Plate 1	1
11	F0102081517	Camera Mounting Plate 2	1
12	F0307001032.1	Reverse Camera	1



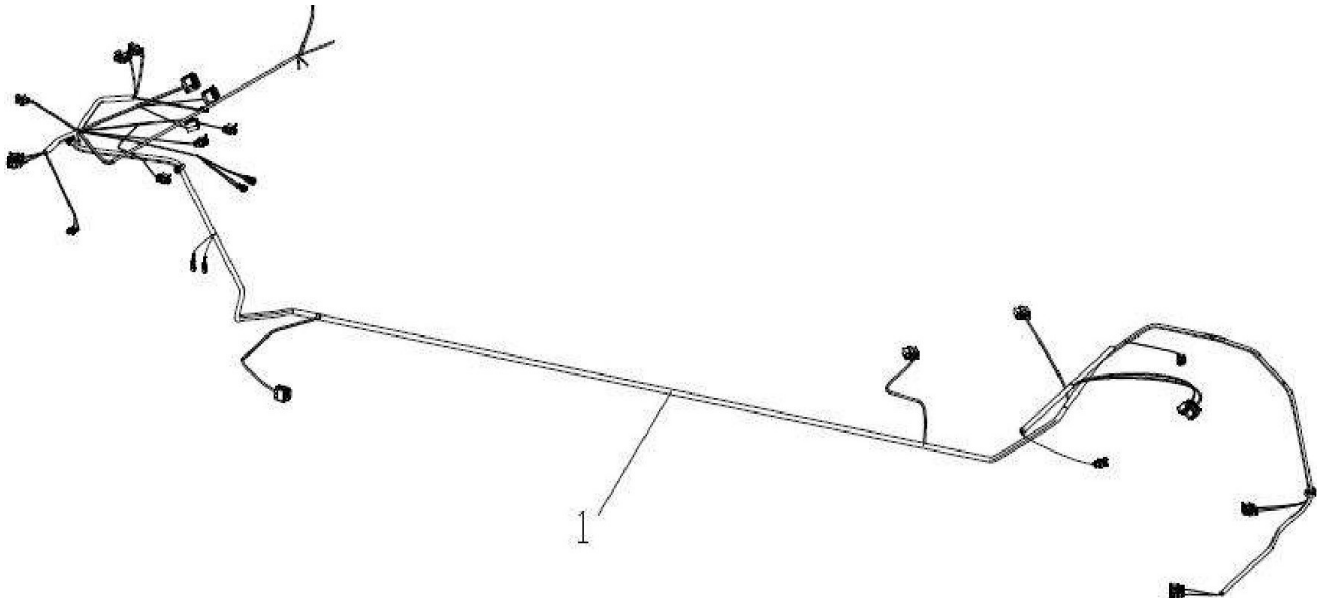
ELECTRONIC CONTROL

NO.	Part Number	Description	Pieces
1	F0302012106	Controller 48V450A (Lifted)	1
	F0302012110	Controller 48V450A	1
2	F0304002228.1	Power Wire Assembly	3
3	F0309002208	Button Switch With Wiring Harness	1
4	F0102077506	Battery Frame	1
5	F0304009003	Reverse Alarm	1
6	F0302002072	Motor	1
7	F0304004045	DC-Converter	1
8	F0304002228.2	Power Wire Assembly	2
9	N/A	Battery Assembly	1
10	F0304002228.3	Power Wire Assembly	2
11	N/A	Charger	1



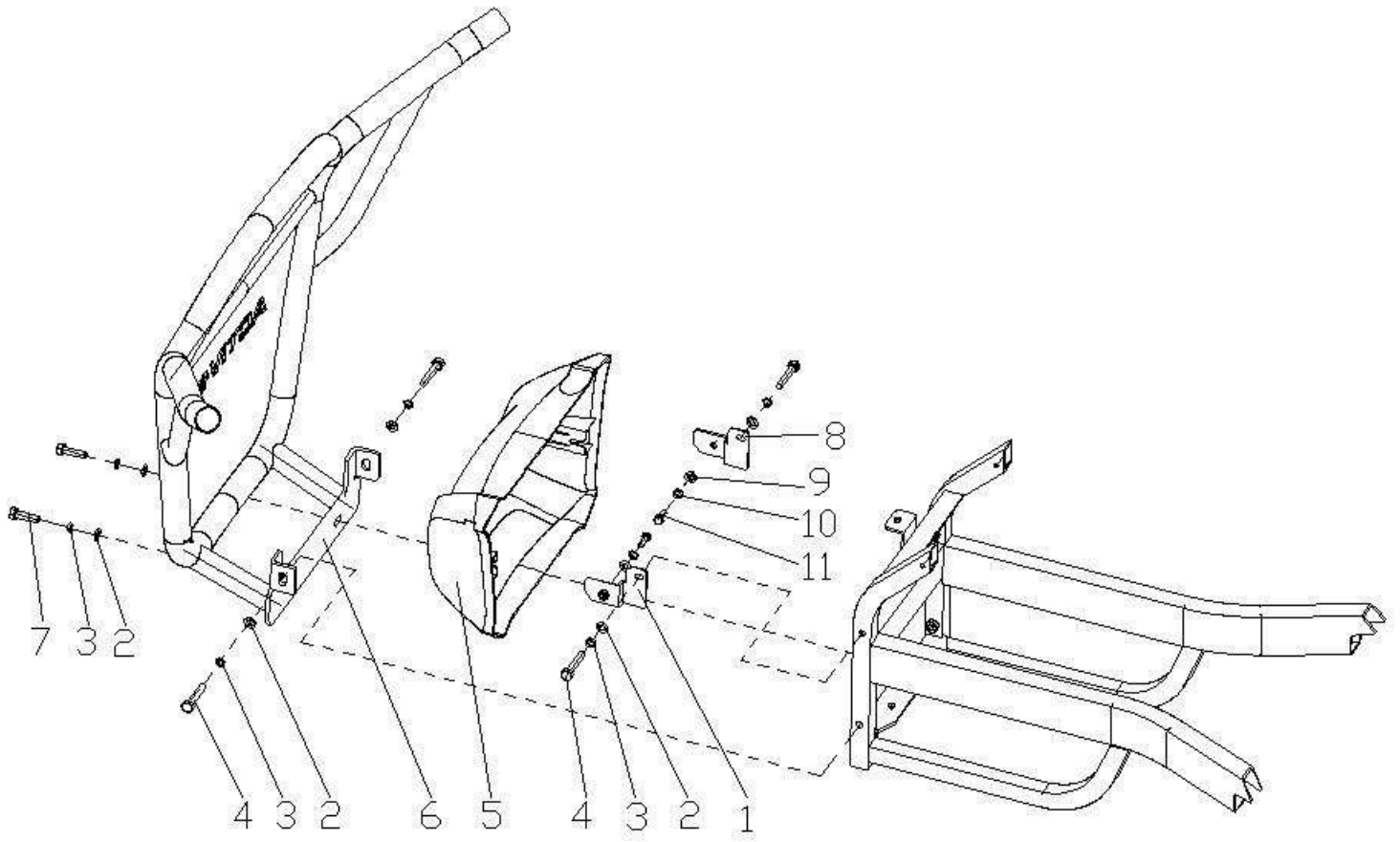
WIRING

NO.	Part Number	Description	Pieces
1	F0304001501	4PR Lithium Wire Harness	1
	F0304001502	6PR Lithium Wire Harness	



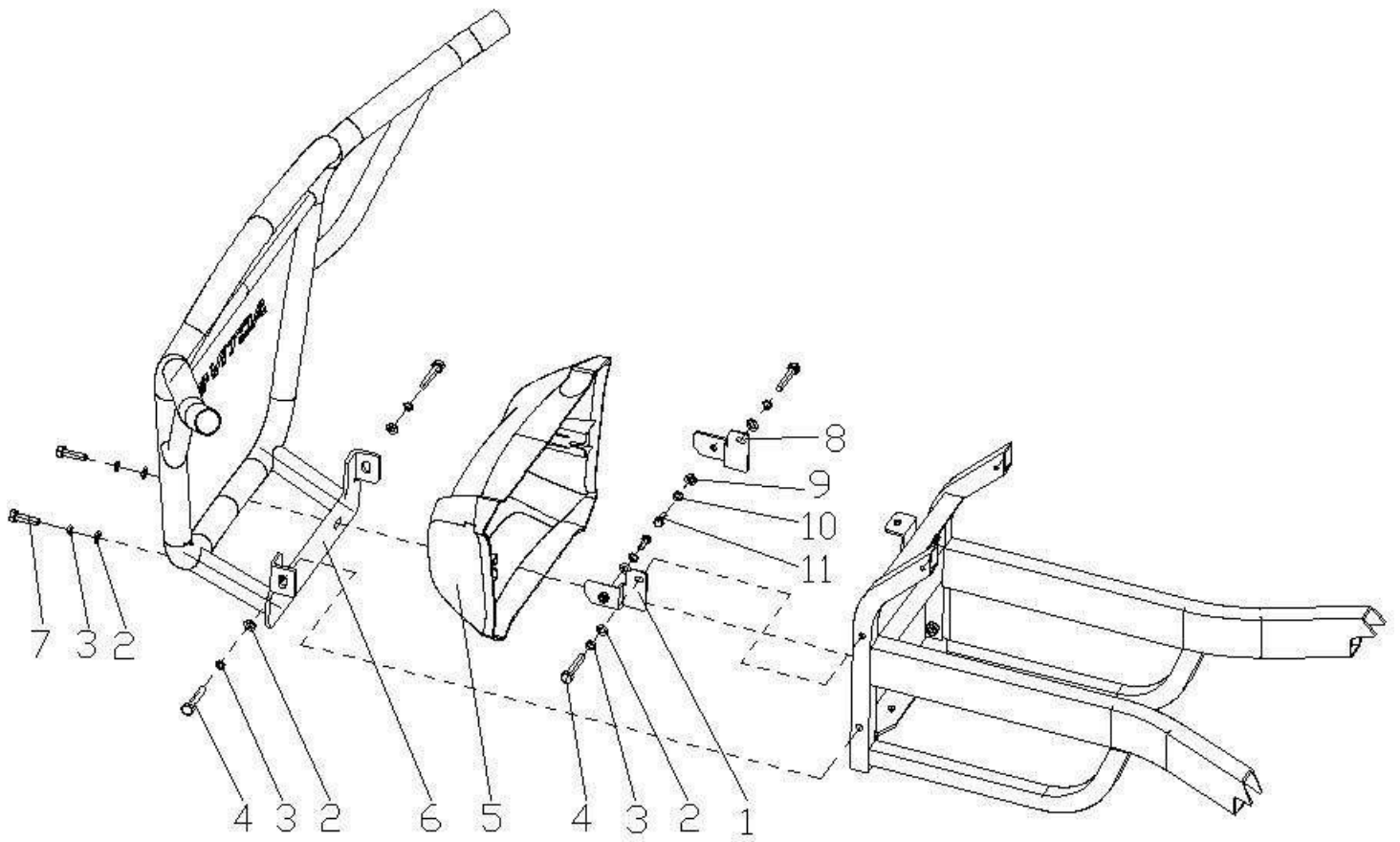
LOWERED CART FRONT BUMPER & BRUSH GUARD

NO.	Part Number	Description	Pieces
1	F0102077501.1	Front Bumper Mounting Bracket-Left	1
2	Y0301020009	Enlarge Flat Washer 6	6
3	Y0301021005	Spring Washer 8	6
4	F2101018004	Hexagon Bolt M8x45	4
5	F0102077004	Front Bumper	1
6	F0102081527	Brush Guard	1
7	Y0301010022	Hexagon Bolt M8x30	2
8	F0102077501.2	Front Bumper Mounting Bracket - Right	1
9	Y0301020006	Enlarge Flat Washer 6	2
10	F2101083009	Spring Washer 6	2
11	Y0301014024	Hexagon Bolt M6x20	2



LIFTED CART FRONT BUMPER & BRUSH GUARD

NO.	Part Number	Description	Pieces
1	F0102077501.1	Front Bumper Mounting Bracket	1
2	Y0301020009	Large Flat Washer M8	6
3	Y0301021005	Spring Washer M8	6
4	F2101018004	Hexagon Bolt M8x45	4
5	F0102077004	Bumper	1
6	F0102077502	Brush Guard	1
7	Y0301010022	Hexagon Bolt M8x30	2
8	F0102077501.2	Front Bumper Mounting Bracket - Right	1
9	Y0301020006	Large Flat Washer M6	2
10	F2101083009	Spring Washer M6	2
11	Y0301014024	Hexagon Bolt M6x20	2



SIDE STEP-LIFTED CART

NO.	Part Number	Description	Pieces
	F0102077504	Side Step 4 Passenger	1 set
	F0102077505	Side Step 6 Passenger	1 set
1	F0102077505.1	Iron Side Step - Left (4+2 Seats)	1
2	F0102077505.2	Iron Side Step - Right (4+2 Seats)	1
3	F0102077505.3	Side Step Connection Bracket (4+2 Seats)	6
4	F0102077504.1	Iron Side Step - Left (2+2 Seats)	1
5	F0102077504.2	Iron Side Step - Right (2+2 Seats)	1
6	F0102077504.3	Side Step Connection Bracket - Front (2+2 Seats)	2
7	F0102077504.4	Side Step Connection Bracket - Left Rear (2+2 Seats)	1
8	F0102077504.5	Side Step Connection Bracket - Right Rear (2+2 Seats)	1

